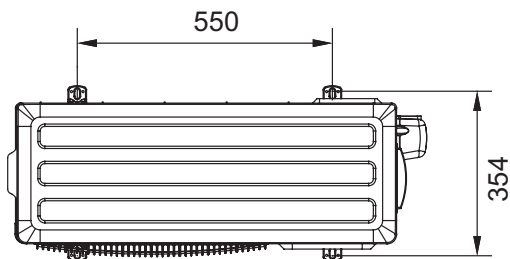
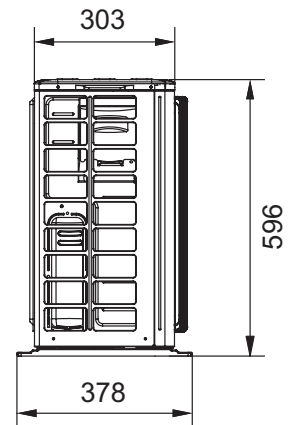
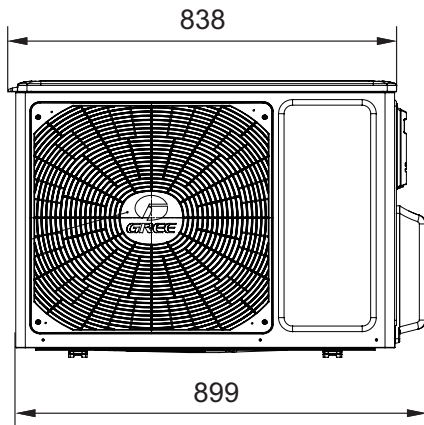


Model			GWHD(18)NK6LO(LC)(LH)	GWHD(18)NK6LO	
Product Code			CB228W08501	CB228W08500	
Power supply	Rated Voltage	V~	220-240	220-240	
	Rated Frequency	Hz	50	50	
	Phases		1	1	
Cooling capacity	W		5200	5200	
Heating capacity	W		5400	5400	
Cooling Power Input	W		1450	1450	
Heating Power Input	W		1300	1300	
Cooling Current Input	A		6.43	6.43	
Heating Current Input	A		5.77	5.77	
Rated Power Input	W		1.78	1.78	
Rated Current	A		7.9	7.9	
SEER	W/W		3.59	3.59	
SCOP	W/W		4.15	4.15	
Outdoor Unit	Compressor Trademark		ZHUHAI LANDA COMPRESSOR CO.,LTD	ZHUHAI LANDA COMPRESSOR CO.,LTD	
	Compressor Model		QXF-B141ZF030A	QXF-B141ZF030A	
	Compressor Refrigerant Oil Type		68DA	68DA	
	Compressor Type		Inverter Rotary	Inverter Rotary	
	L.R.A	A		25	25
	Compressor Rated Load Amp (RLA)	A		6.5	6.5
	Compressor Power Input	W		1410	1410
	Compressor Thermal Protector			1NT11L-6233 or HPC 115/95 or KSD115°C	1NT11L-6233 or HPC 115/95 or KSD115°C
	Throttling Method			Electron expansion valve	Electron expansion valve
	Cooling Operation Ambient Temperature Range	°C		-15~43	18~43
	Heating Operation Ambient Temperature Range	°C		-20~24	-15~24
	Condenser Material			Aluminum Fin-copper Tube	Aluminum Fin-copper Tube
	Condenser Pipe Diameter	mm		Φ9.52	Φ9.52
	Rows-Fin Gap(mm)	mm		19.05X22	19.05X22
	Coil length (l) X height (H) X coil width (L)	mm		760X44X559	760X44X559
	Fan Motor Speed (rpm)	rpm		800/900	800/900
	Output of Fan Motor	W		30	30
	Fan Motor RLA	A		0.39	0.39
	Fan Motor Capacitor	μF		/	/
	Air Flow Volume of Outdoor Unit	m ³ /h		2600	800/900
	Fan Type-Piece			Axial-flow	Axial-flow
	Fan Diameter	mm		Φ438-116	Φ438-116
	Defrosting Method			Automatic Defrosting	Automatic Defrosting
	Climate Type			T1	T1
	Isolation			I	I
	Moisture Protection			IPX4	IPX4
	Permissible Excessive Operating Pressure for the Discharge Side	MPa		4.3	4.3
	Permissible Excessive Operating Pressure for the Suction Side	MPa		2.5	2.5
	Dimension (WXHDXD)	mm		899X378X596	899X378X596
	Dimension of Package (LXWXH)	mm		945X417X630	945X417X630
Dimension of Package(LXWXH)	mm		948X420X645	948X420X645	
Net Weight	kg		43	43	
Gross Weight	kg		46	46	
Refrigerant Charge			R32	R32	
Refrigerant Charge	kg		1.05	1.05	

Outdoor Unit	Cross-sectional Area of Power Cable Conductor	mm ²	1.5	1.5
	Recommended Power Cable(Core)	N	3	3
	Connection Pipe Connection Method		Flare Connection	Flare Connection
	Not Additional Gas Connection Pipe Length	m	10	10
	Connection Pipe Gas Additional Charge	g/m	20	20
	Outer Diameter of Liquid Pipe(GREE Allocation) (Metric)	mm	Φ6	Φ6
	Outer Diameter of Gas Pipe(GREE Allocation) (Metric)	mm	Φ9.52	Φ9.52
	Outer Diameter of Liquid Pipe(GREE Allocation) (Metric)	mm	Φ6	Φ6
	Outer Diameter of Gas Pipe(GREE Allocation) (Metric)	mm	Φ9.52	Φ9.52
	Connection Pipe Max. Height Distance(indoor and indoor)	m	5	5
	Max. equivalent connection pipe length(outdoor to last indoor)	m	10	10
	Connection Pipe Max. Length Distance(total length)	m	20	20

The above data is subject to change without notice; please refer to the nameplate of the unit.

3. Outline Dimension Diagram



Unit:mm